

# *MINISPRAYJET*



*MINISPRAYJET* Flame spraying gun



SOLUTIONS FOR GASES

# MINISPRAYJET

## A compact and light weight flame spraying gun



Flame spraying gun for thermal spraying with powder using oxy-fuel gas flame. Function and safety are guaranteed through a gas mixture system using the injector principle.

Following fuel gases can be used acetylene, propane, hydrogen in combination with oxygen as well as compressed air used for cooling purposes.

The *MiniSPRAYJET* is designed for the universal application where wear and corrosive protection have to be considered

### Highlights:

- Integrated powder transport system
- With the integrated gate valve many types of transport gases can be used
- Overhead position through removable and 180° changeable powder connection
- Just one powder connector with adjustable slider for different capacities

### Areas of use/application:

#### **Metal powder coating**

for the hot and cold spraying techniques with self flowing or metal and oxidized ceramic powders

#### **Corrosion resistant coatings**

On the basis of low melting metal flame spraying powder (for example zinc and aluminium)

#### **Plastic coatings**

Many different types of thermo-plastics and epoxy material

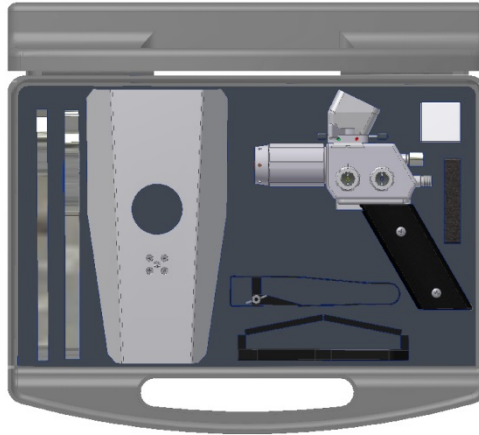
Because of its modular-building-system, the standard gun *MINISPRAYJET* can be used for many applications

- Accessories available on request
- IBEDA safety devices are also available



SOLUTIONS FOR GASES

# **IBEDA *MINI*SPRAYJET**



<b>Part Number</b>	<b>Description</b>
<b>5000-0014</b>	<b>Mini Spray Jet kit with accessories</b>
5000-0001	Mini Spray Jet G1/8RH – G1/8LH
1014-0013	R/F N-A spray nozzle (built in)
1014-0001	P/K ring nozzle (built in)
1383-0005	MSJ-Lathe carrier support attachment
1383-0004	Heat shield with clip-on shoe
7730-0007	Nozzle cleaning needle set
7730-0002	Adjustable wrench
7730-0001	Open ended fork wrench 24 mm
7730-0005	Brass wire brush
7730-0006	Gas lighter
7730-0008	Protective welding goggles
7730-0004	Tool bag
7730-0003	Allen key 4 mm
1014-0003	Pressure nozzle – N – 0,45 mm (built in)
7440-0394	O-ring 29,87 X 1,78
7440-0010	O-ring 5 x 1,5 FPM75
7440-0383	4 x O-ring 2,5 x 1,5

Instruction manual Mini Spray Jet



**SOLUTIONS FOR GASES**

**Part No.**

**Description**

**Modification parts for zinc powder**

- 1010-0009 Blocking nozzle-B/R
- 1401-0001 Manual slide valve for compressed air
- 1014-0015 LT-A nozzle (**Acetylene**)

**alternative** for example zinc, plastic and other low temperature spray material

- 1014-0016 LT-P nozzle (**Propane**)  
for plastic and for thermoplastic etc.

**Modification parts for plastic powder**

- 1010-0009 Blocking nozzle –B/R-
- 1401-0001 Manual slide valve for compressed air
- 1014-0015 LT-A nozzle (**Acetylene**)

**alternative** for example zinc, plastic and other low temperature spray material

- 1014-0016 LT-P nozzle (**Propane**)  
for plastic, thermoplastic, etc.

- 1067-0008 Powder module receptacle black

**Modification parts for ceramic powder**

- 1014-0051 Fan nozzle –F-
- 1401-0001 Manual slide valve for compressed air
- 1014-0004 Pressure nozzle S
- 1014-0018 HT/S-A high temperature nozzle



**SOLUTIONS FOR GASES**

<b>Part Number</b>	<b>Accessories, Spare Parts Mini Spray Jet Description</b>
1383-0001	Refillable powder cartridge
1067-0007	Powder module head black
1014-0013	R/F N-A spray nozzle
0181-0182	Hose Package A-O/2 5m G3/8LH-G1/4RH
7640-0617	Compressed air hose Mpa-4x3,5 G3/8RH-G1/8RH 6,5m
0069-4026	D1 Coupling pin -F G1/8LH -red
0069-4027	D1 Coupling pin -O G1/8RH -blue
3000-0074	Coupling DKG G3/8LH Fuel gas EN561
3000-0068	Coupling DKG G1/4RH Oxygen EN561
3000-0064	Flashback arrestor DGN G3/8LH EN730
3000-0065	Flashback arrestor DGN G1/4RH EN730
6454-0068	Cylinder regulator Acetylene 1,5bar ISO2503
6454-0065	Cylinder regulator Oxygen 200 / 10 bar
0005-0500	Swivel nut EN560 G1/8LH SW12 B7,2
0005-0501	Swivel nut EN560 G1/8RH SW12 B7,2
0006-0549	Hose pin EN560 G1/8X4mm

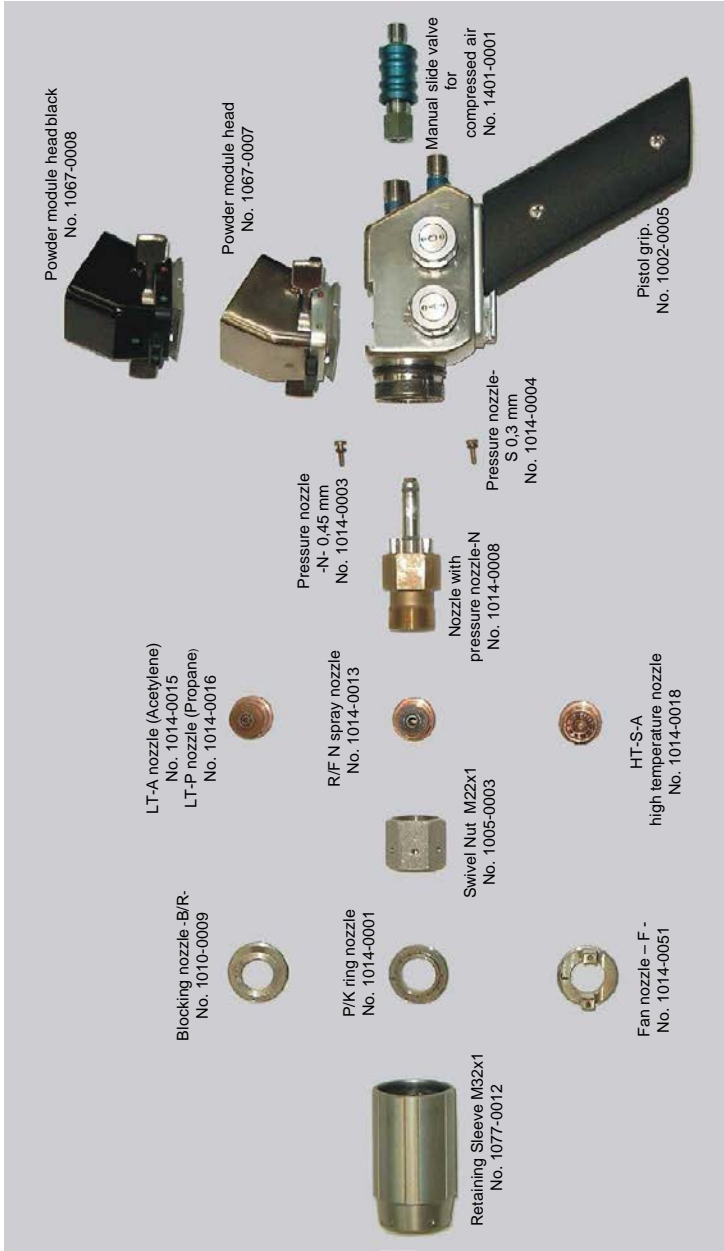


1383-0001 Refillable powder cartridge



**SOLUTIONS FOR GASES**

# Spare-/modification parts **MINISPRAYJET**



Standard parts:  
for  
Metal powder

- Powder module Head No. 1067-0007
- Retaining Sleeve No. 1077-0012
- Swivel Nut M22x1 No. 1005-0003
- Nozzle with pressure nozzle-N (1014-0003) No. 1014-0008
- P/K ring nozzle No. 1014-0001
- R/F N-A spray nozzle No. 1014-0013

Modifikation parts:  
for  
Zinc powder

- Manual slide valve for compressed air No. 1401-0001
- Blocking nozzle -B/R- No. 1010-0009
- LT-A nozzle (Acetylene) No. 1014-0015
- LT-P nozzle (Propane) No. 1014-0016

Modifikation parts:  
for  
Ceramic powder

- Manual slide valve for compressed air No. 1401-0001
- Fan nozzle - F - No. 1014-0051
- Pressure nozzle S No. 1014-0004
- HT/S-A high temperature nozzle No. 1014-0018

Modifikation parts:  
for  
Plastic powder

- Powder module head black No. 1067-0008
- Manual slide valve for compressed air No. 1401-0001
- Blocking nozzle -B/R- No. 1010-0009
- LT-A nozzle (Acetylene) No. 1014-0015
- LT-P nozzle (Propane) No. 1014-0016

